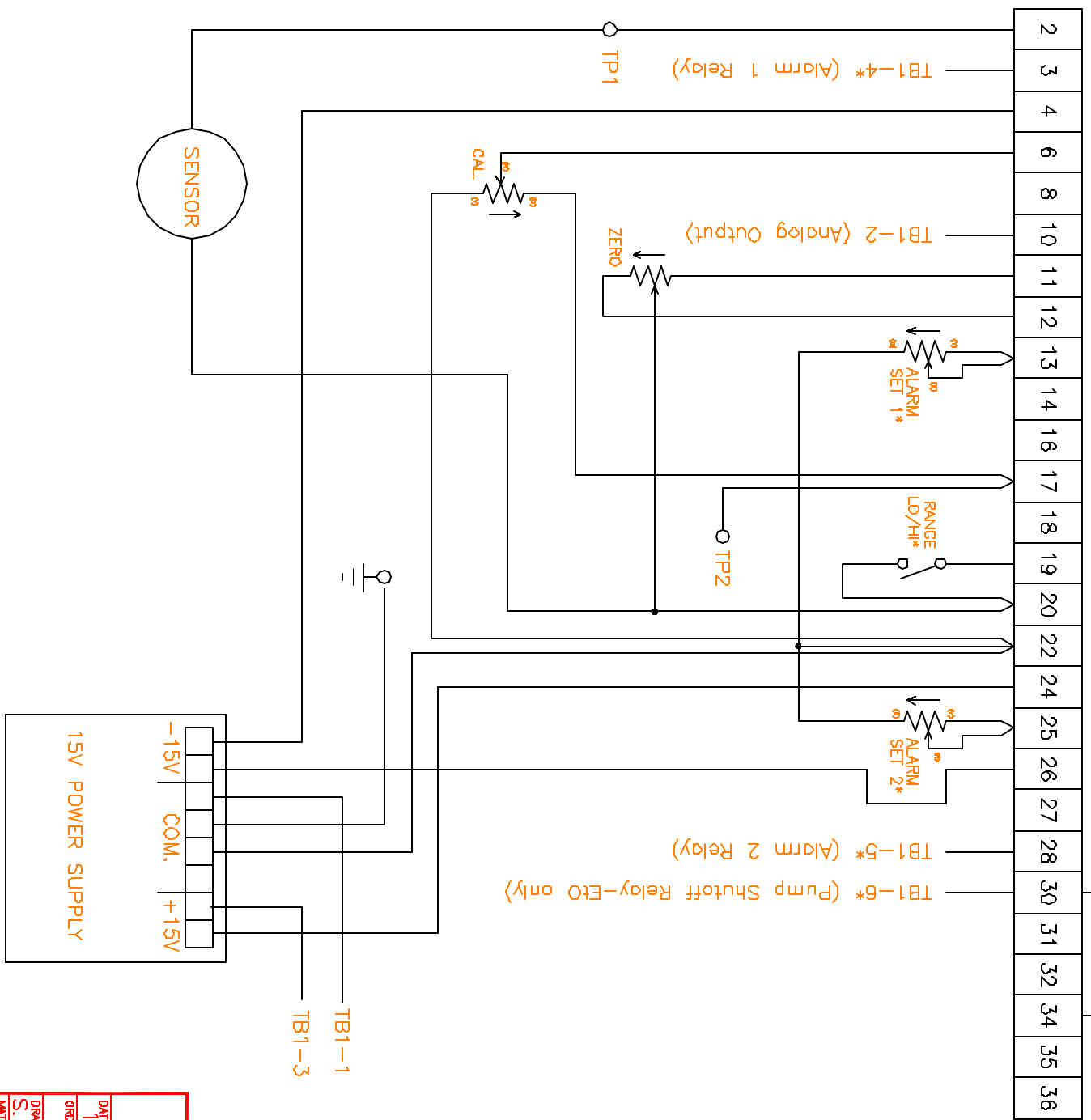


LD CIRCUIT BOARD
CONNECTOR



*Optional feature. May not appear on all units

Interscan Corporation 21700 Nordhoff Bldg Ondawa, CA 91371	
DATE 1-22-96	TITLE WIRING DIAGRAM LD/RM ANALOG CONTROL WIRING
ORDER NO.	SCALE NONE
DRAWN BY S. RICHARDS	DRWG. NO. WD3006
MATL.	TOL.